

**Township of
Edwardsburgh/Cardinal
PUBLIC WORKS DEPARTMENT**

18 Centre Street, P.O. Box 129
Spencerville, ON K0E 1X0

**CONTRACT No. EC-PW-24-04
Weir Road Bridge Rehabilitation
ADDENDUM NO. 3**

The following is issued as an addendum to the Contract No. EC-PW-24-04 tender document:

The following questions relative to the above Contract received to date are answered herein and clarify the Contract.

Q1 Will a Razorback type screed be permitted for the concrete overlay?

Answer: A Razorback screed may be substituted for a Bidwell type machine however the Contractor is to achieve the same concrete compaction and surface tolerance as would ordinarily be achieved from a Bidwell type machine.

Q2 The OPSD – 911.233 referenced for the Temporary Concrete Barriers is an archived standard. Is this the intended Standard Drawing?

Answer: The intended Standard Drawing is OPSD – 911.233 and is attached to this Addendum.

THIS ADDENDUM IS ISSUED BY EMAIL and is part of “Contract No. EC-PW-24-04”

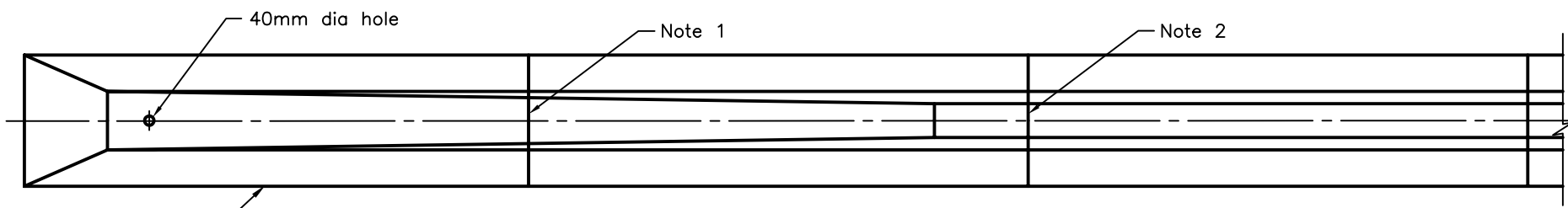
Please contact the Township of Edwardsburgh/Cardinal Public Works Department by e-mail to acknowledge receipt of this addendum in addition to **returning this as part of your tender.**

Except as and to the extent that they are amended by the foregoing, all other terms, conditions and provisions of the tender documents and contract documents remain in full force and effect.

Date of Issue: April 10, 2024
Township of Edwardsburgh/Cardinal
Public Works Department

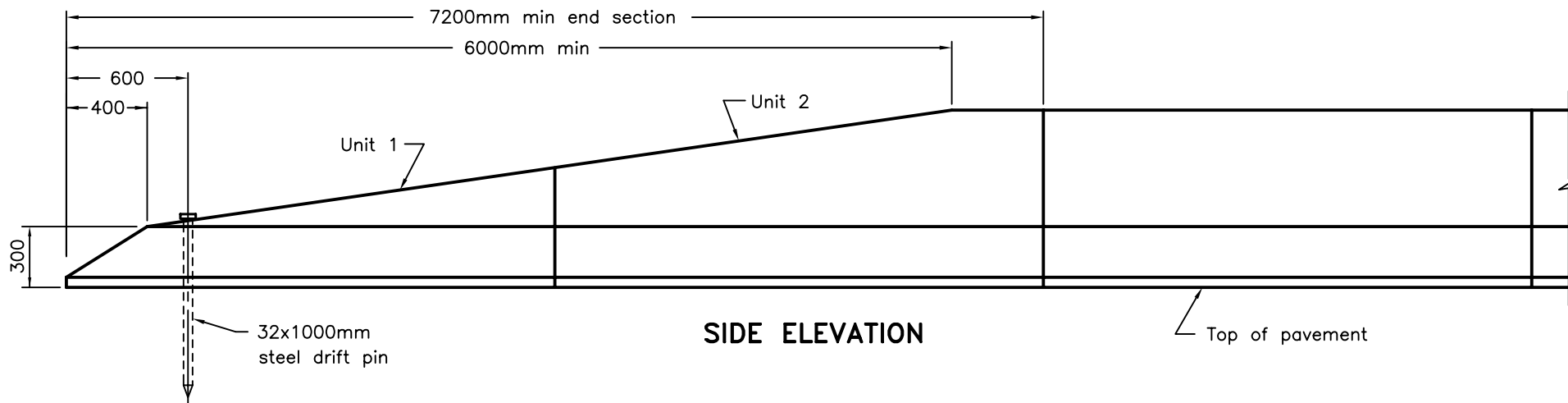
Signature of Tenderer _____

Company Name _____



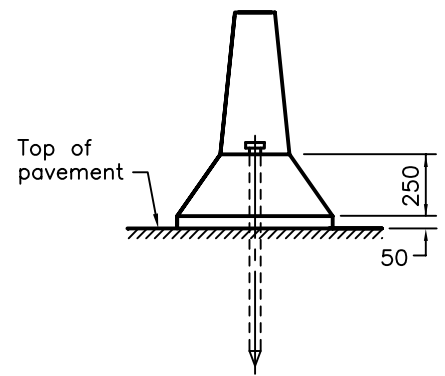
For installation layout details see OPSD-911.232

PLAN



SIDE ELEVATION


Top of pavement



FRONT ELEVATION

NOTES:

- 1 Barrier with I-Lock type connection, unit 1 of the end section shall have a female channel connector only.
 - 2 Where unit 2 of an end section abuts another female connector an I section, S100x14 x 800mm long, shall be used to complete the connection.
- A All dimensions are in millimetres unless otherwise shown.

ONTARIO PROVINCIAL STANDARD DRAWING	Nov 2001	Rev 0	
GUIDE RAIL SYSTEM, CONCRETE BARRIER PRECAST TEMPORARY END SECTION INSTALLATION	----- -----		
OPSD - 911.233			